



Elegance

BY VISION

Craftsmanship, illuminated

Bordering on brilliance.

Make your signage stand out with *Elegance by Gemini*.

Elevate your signage to a new level of visibility with Elegance, *Vision's* premium line of illuminated, precision-fabricated letters and logos. Elegance combines the timeless, refined look of metal with the stopping power of a visible acrylic edge that extends beyond the metal. The result is a brilliant, glowing effect that gets your signage noticed.

Elegance is made to order with quality craftsmanship to last a lifetime. Choose from a wide range of options to achieve the sophisticated effect you're seeking.

- Stainless steel and aluminum fabricated options
- Halo or face LED lighting
- Nearly limitless customization options on sizes, finishes and colors
- Lifetime warranty on letters and logos
- Made in North America, for competitive production lead times



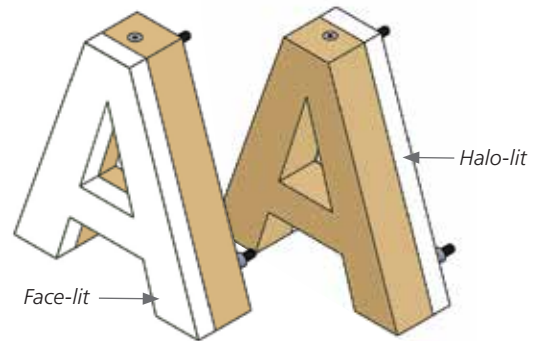
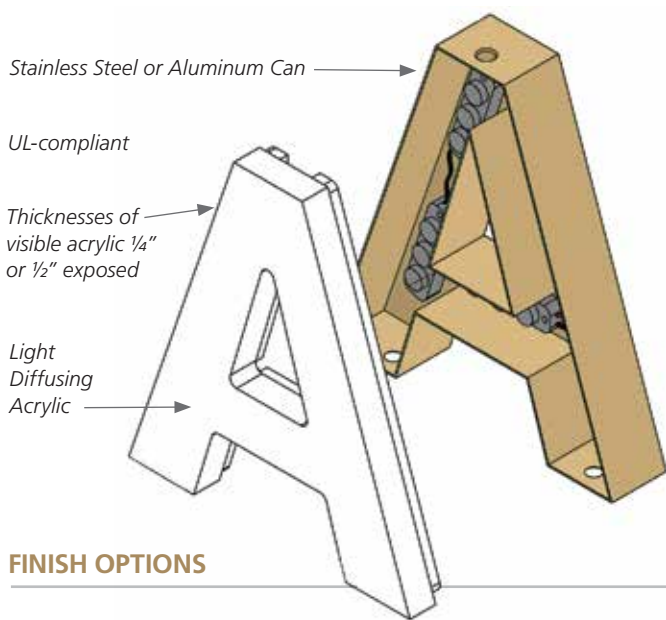
Made True.





Get the competitive edge. Increase the stopping power of illuminated signage with the brilliant effect of Elegance. Starting with face- or halo-lit stainless steel or aluminum letters, Elegance adds a translucent white acrylic that extends beyond the metal's edge. This extra dimension creates a brilliant glowing effect that gets your signage noticed.

ELEGANCE PRECISION-FABRICATED LETTERS & LOGOS



Material	Letter Size*	Stroke Limitations	Returns
Stainless Steel	6" - 24"	1" minimum up to 20" 2" minimum 20"+	<24" 1-3" 24"+ 3"
Aluminum	16" - 24"	2" minimum	<24" 2-3" 24"+ 3"

* Larger sizes available depending on configuration; contact your sales representative.

FINISH OPTIONS

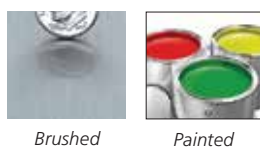
Stainless Steel



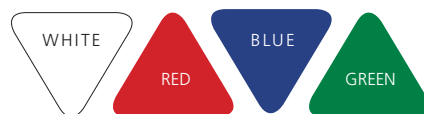
Premium Stainless Steel



Aluminum



LED Color Options



LEGENDARY QUALITY



All Gemini products are built to last and guaranteed with a lifetime warranty on letters & logos, and a 4 year manufacturer's warranty on UL-Certified LED lights and power supplies.

For the highest quality in lighted dimensional letters and logos, turn to Gemini.

Craftsmanship, illuminated

Learn More

For more information about Elegance letters and logos or other quality Gemini products, please contact your sales representative.

Vision Sign Inc.
45945 Trefoil Lane #184
Sterling, VA 20177
(703) 707 0858

Made True.

